

# LED Flood Lighting

## SUMA Series

SMA600 / SMA400

### Product Description

- Can send uniform light distribution even at long distance
- High luminous efficacy
- Tilting structure for optimized aiming (Upward : 10°, Downward : 20°)
- Dimming control using wireless and wired communication
- Outstanding cooling technology and durability

### Application

- Sporting Facilities
- Airplane Hangars
- Airport Aprons
- Parking Lots
- Harbour
- Yard

### Certification

- UL
- CE
- DLC
- FCC



[ SMA600, Wired type ]

### SUMA Series (Built-in Driver type) Specifications

Model Name	SMA600				SMA400			
Power Consumption	600W				400W			
CCT	5700K	5000K	4000,3500K	3000K	5700K	5000K	4000,3500K	3000K
Luminous Flux * (lm)	72,000	75,000	72,000	69,000	48,000	50,000	48,000	46,000
Luminous Efficacy * (lm/W)	120	125	120	115	120	125	120	115
CRI	70Ra							
LED Driving Current	750 mA				320 mA			
Light Distribution	Asymmetric Wide							
Input Voltage	200 ~ 240Vac / 200 ~ 277 Vac / 347 ~ 480 Vac							
Input Current	Max. 3.5 A(@200Vac)				Max. 2.5 A(@200Vac)			
	Max. 2.2 A(@347Vac)				Max. 1.6 A(@347Vac)			
Power Factor	≥0.9 at Max load							
Frequency	50 / 60 Hz							
Surge Protection	Line – Line 20kV, Line – FG 20kV							
Driver Type	Constant Current (CC)							
Fixture Manufacturer	GigaTera Lighting Inc. / Made in Korea							
Size	Control Type	Wireless		NEMA-7	Wireless		NEMA-7	
	mm	517 x 439 x 375		517 x 433 x 375	517 x 442 x 371		517 x 436 x 371	
	inch	20.4 x 17.3 x 14.8		20.4 x 17.0 x 14.8	20.4 x 17.4 x 14.6		20.4 x 17.2 x 14.6	
Weight	19.3 kg / 42.5 lb				18.6 kg / 41.0 lb			
Material	Body	Cast Aluminum						
	Optic	AL Coating Reflector						
	Cover	Tempered Glass 4.0T (Clear)						
Finish	Powder Coating							
IP Rating	IP66							
Effective Projected Area	Front (ft² / m²)	-			1.650 / 0.153			
	Side (ft² / m²)	-			0.828 / 0.077			
Operating Temperature	-30°C ~ 50°C							
Option	Control	Wireless, NEMA-7						
	Mounting	Swivel Bracket						
Warranty	5 Years (12 hours usage per day)							

\* Tolerance : ± 10%

# LED Flood Lighting

## SUMA Series

SMA600 / SMA400

### SUMA Series (Remote Driver type) Specifications

Model Name		SMA600				SMA400			
Power Consumption		600W				400W			
CCT		5700K	5000K	4000,3500K	3000K	5700K	5000K	4000,3500K	3000K
Luminous Flux *		72,000	75,000	72,000	69,000	48,000	50,000	48,000	46,000
Luminous Efficacy *		120	125	120	115	120	125	120	115
CRI		70Ra							
LED Driving Current		750 mA				320 mA			
Light Distribution		Asymmetric Wide							
Input Voltage		DC100V (through RED)							
Fixture Manufacturer		GigaTera Lighting Inc. / Made in Korea / Made in Vietnam							
Size	mm	517 x 429 x 375				517 x 381 x 371			
	inch	20.4 x 16.9 x 14.8				20.4 x 15.0 x 14.6			
Weight		13.5 kg / 29.8 lb				12.5 kg / 27.6 lb			
Material	Body	Cast Aluminum							
	Optic	AL Coating Reflector							
	Cover	Tempered Glass 4.0T (Clear)							
Finish		Powder Coating							
IP Rating		IP66							
Effective Projected Area	Front (ft <sup>2</sup> / m <sup>2</sup> )	1.320 / 0.123				1.300 / 0.120			
	Side (ft <sup>2</sup> / m <sup>2</sup> )	0.665 / 0.062				0.655 / 0.060			
Operating Temperature		-30°C ~ 50°C							
Option	Mounting	Swivel Bracket							
Warranty		5 Years (12 hours usage per day)							

\* Tolerance : ± 10%

### Remote Driver Specifications




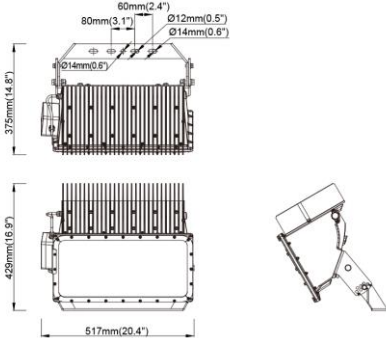
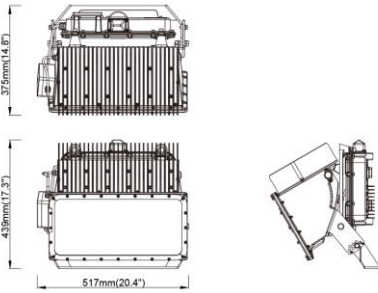
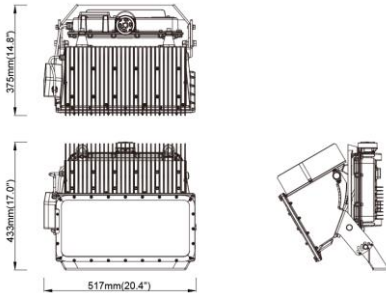
Model Name		RED1K2		RED800	
Power Consumption		1,200W		800W	
Compatible Model		SMA600 x 2ea		SMA400 x 2ea	
Input Voltage		200 ~ 277 Vac / 347 ~ 480 Vac			
Output Voltage		DC100V			
Input Current		Max. 7.6A (@200Vac)		Max. 5.0A (@200Vac)	
		Max. 4.4A (@347Vac)		Max. 2.9A (@347Vac)	
Power Factor		≥0.9 at Max load			
Frequency		50 / 60 Hz			
Surge Protection		Line – Line 20kV, Line – FG 20kV			
Driver Type		Constant Current (CC)			
Fixture Manufacturer		GigaTera Lighting Inc. / Made in Korea / Made in Vietnam			
Weight		13.0 kg / 28.7 lb (Include IP Box : 20 kg / 44.1 lb)			
IP Rating		IP66 (When IP box applied)			
Operating Temperature		-30°C ~ 50°C			
Option	Control	Wired (RS-485, DMX-512)			
Warranty		5 Years (12 hours usage per day)			

\* Tolerance : ± 10%




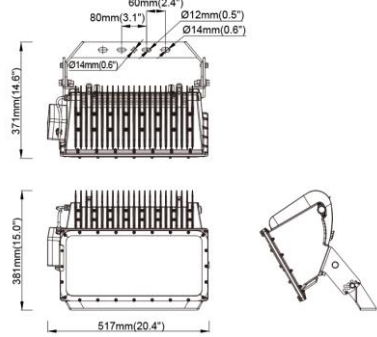
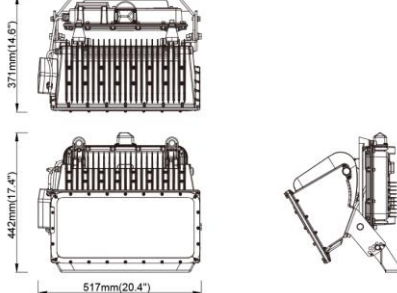
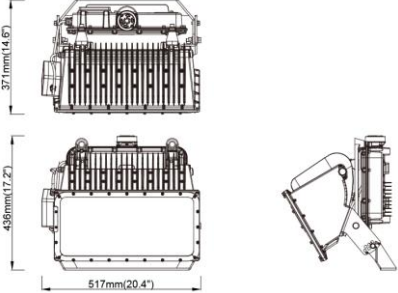
# LED Flood Lighting SUMA Series

SMA600 / SMA400

## SUMA 600W

Wired / Remote type		Wireless / Built-in type		NEMA-7 / Built-in type	
					
					
<b>Size</b>	517 x 429 x 375 (mm) 20.4 x 16.9 x 14.8 (inch)	<b>Size</b>	517 x 439 x 375 (mm) 20.4 x 17.3 x 14.8 (inch)	<b>Size</b>	517 x 433 x 375 (mm) 20.4 x 17.0 x 14.8 (inch)

## SUMA 400W

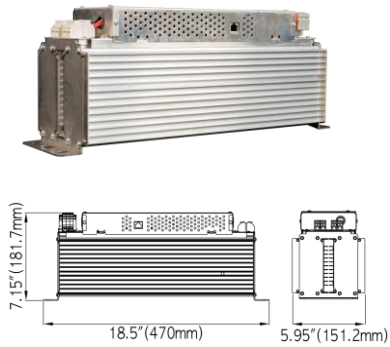
Wired / Remote type		Wireless / Built-in type		NEMA-7 / Built-in type	
					
					
<b>Size</b>	517 x 381 x 371 (mm) 20.4 x 15.0 x 14.6 (inch)	<b>Size</b>	517 x 442 x 371 (mm) 20.4 x 17.4 x 14.6 (inch)	<b>Size</b>	517 x 436 x 371 (mm) 20.4 x 17.2 x 14.6 (inch)

# LED Flood Lighting SUMA Series

SMA600 / SMA400

## Remote Driver Dimension

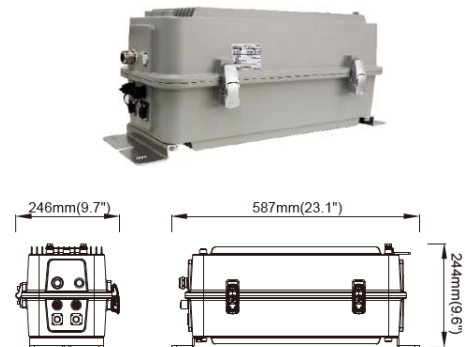
### RED (Wired)



Size

470.0 x 151.2 x 181.7 (mm)  
18.5 x 6.0 x 7.2 (inch)

### RED IP66 BOX (Optional)

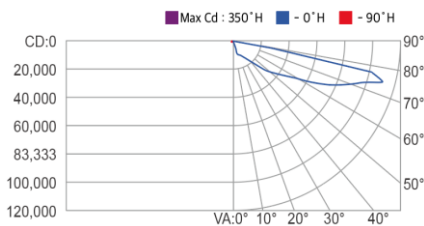


Size

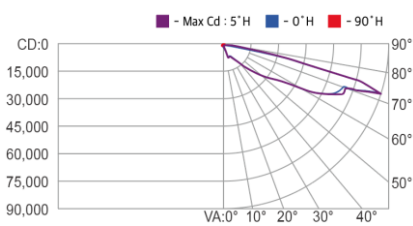
587.0 x 246.0 x 244.0 (mm)  
23.1 x 9.7 x 9.6 (inch)

## Photometry Data

### SMA600 / 5000K



### SMA400 / 5000K



## Control System (Optional)

Wireless Control	ZigBee
Input Voltage	15 Vdc
Max. Power Consumption	0.3W (@15 Vdc)
Standard	2.4 GHz – IEEE 802.15.4 (Compatible)
Network	Mesh
RF Tx Power	Max. +8 dBm (Typ. 5 dBm)
Data Rate	250 kbps
Security	128 bit AES Encryption Algorithms
Antenna	Omni Type, 2 dBi
NEMA-7	
Mechanical	7 Position : 3 Power Contacts + 4 dimming/Signal Contacts
Electrical	Power Contacts. 15A, Max.480Vac/dc
	Dimming Contacts. 0.10A, Max.10Vac/dc
Model Name	TE, 2213362-4(ANSI C136.41-2013 Dimming Receptacle)
	te.com





# LED Flood Lighting

## SUMA Series

SMA600 / SMA400

<b>Wired Control</b>	RS-485	DMX-512
<b>Input Voltage</b>	15 Vdc	
<b>Max. Power Consumption</b>	0.2W (@15 Vdc)	
<b>Communication Method</b>	RS-485	DMX-512
<b>Data Rate</b>	115,200 bps, 8-N-1	250,000 bps, 8-N-2

### Mount Bracket Installation Reference (Optional)

KETBKTL1ZNN001		KETBKTL3BG1012	
	Assembly Image		Assembly Image
			

### Ordering Information

### Ordering Code Usage : SMA400-V50WG1

<b>SMA</b>	000	-	O	OO	O	O
	Power Consumption		Input Voltage	CCT (K)	Control System	Fixture Color
	(Built-in Driver type) 600 = 600W 400 = 400W		H = 200 ~ 277Vac C = 347 ~ 480Vac K = 200 ~ 240Vac	50 = 5000K 40 = 4000K 30 = 3000K	Z = ZigBee G = NEMA-7	G1 = Gray Powder
	(Remote Driver type) 600 = 600W 400 = 400W		V = 100Vdc		W = Wired(RS-485) M = Wired(DMX-512)	

※ For Remote Driver type

### Ordering Information

### Ordering Code Usage : RED1K2-HVW

<b>RED</b>	000	-	O	O	O
	Power Consumption		Input Voltage	Output Voltage	Control System
	1K2 = 1,200W 800 = 800W		K = 200 ~ 240Vac H = 200 ~ 277Vac C = 347 ~ 480Vac	V = 100Vdc	W = Wired(RS-485) M = Wired(DMX-512)