

# LED Area Flood Lighting

## MAHA-PLUS Series

GigaTera<sup>®</sup>  
beyond light

MAH1K2

### Product Description

- Outstanding asymmetric hybrid optics, full cut-off, glare-free, minimum light pollution
- No need of visor, worry-free in visor corrosion or cleaning, less wind & structural load
- High efficacy up to 150lm/W, maximum energy saving, excellent cooling technology and durability
- 20kV built-in surge protector, solid design appearance, corrosion-free powder painting

### Application

- Sporting Facilities
- Airplane Hangars
- Airport Aprons
- Parking Lots
- Harbour / Yard

### Certification

- UL
- FCC
- 



### MAHA-PLUS Series Specifications

<b>Model Name</b>	<b>MAH1K2</b>	
<b>Power Consumption</b>	<b>Max. 1200W</b>	
<b>CCT</b>	5000K (5700K / 4000K / 3000K available)	
<b>Luminous Flux *</b>	168,000 lm	156,000 lm
<b>Luminous Efficacy *</b>	140 lm/W	130 lm/W
<b>CRI</b>	70 Ra	80Ra
<b>LED Driving Current</b>	Max. 550 mA	
<b>Light Distribution</b>	Asymmetric Wide	
<b>BUG Rating</b>	B4 – U0 – G5	
<b>Driver Type</b>	Remote driver type / Built-in driver type	
<b>Input Voltage</b>	220 ~ 240 Vac / 200 ~ 277 Vac / 347 ~ 480 Vac	
<b>Input Current</b>	Max. 7.2A (@200 Vac) / Max. 4.1A (@347 Vac)	
<b>Power Factor</b>	≥0.9 at Max load	
<b>Frequency</b>	50 / 60 Hz	
<b>Surge Protection</b>	Line – Line 20kV, Line – FG 20kV	
<b>Driver Type</b>	Constant Current (CC)	
<b>Fixture Manufacturer</b>	GigaTera Lighting Inc. / Made in Korea	
<b>Size</b>	<b>Remote</b>	620 x 543 x 275 (mm) / 24.4 x 21.4 x 10.8 (inch)
	<b>Built-in</b>	620 x 767 x 275 (mm) / 24.4 x 30.2 x 10.8 (inch)
<b>Weight</b>	<b>Remote</b>	15.2 kg / 33.5 lb
	<b>Built-in</b>	28.2 kg / 62.2 lb
<b>Material</b>	<b>Body</b>	Cast Aluminum
	<b>Optic</b>	Hybrid Optic (AL Coating Reflector & PMMA lens)
	<b>Cover</b>	Tempered Glass 4.0T (Clear)
<b>Effective Projected Area</b>	Front (m <sup>2</sup> ) : 0.15549 / Side (m <sup>2</sup> ) : 0.0674 (LED module only), 0.0987 (with Remote driver)	
<b>Aerodynamic resistance (CxS)</b>	0.19	
<b>IP Rating</b>	IP66	
<b>Operating Temperature</b>	-22°F ~ 131°F / -30°C ~ 50°C	
<b>Option</b>	<b>Mounting</b>	Swivel Bracket, Pole Mount Bracket
<b>Operation Lifetime</b>	> 80,000 hours (L80B10) at Ta 25°C, > 60,000 hours (L80B10) at Ta 40°C	
<b>Warranty</b>	5 Years (12 hours usage per day). 10 Years conditional	
<b>Finish</b>	Powder Painting (Gray color, RAL 7038)	



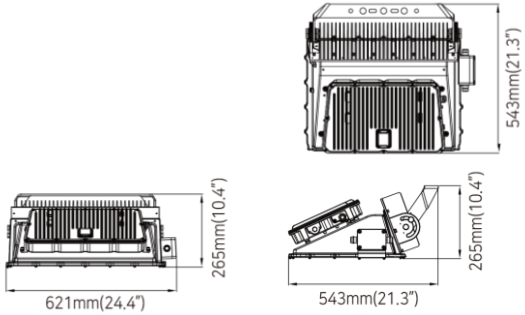
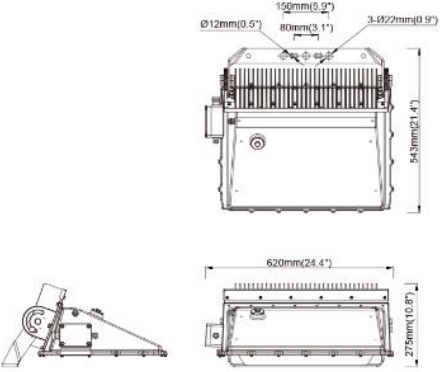
\* Tolerance : ± 10%

# LED Area Flood Lighting

## MAHA-PLUS Series

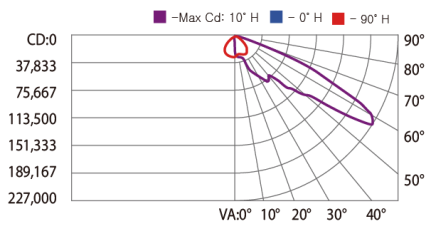
MAH1K2

### Dimension - MAH1K2

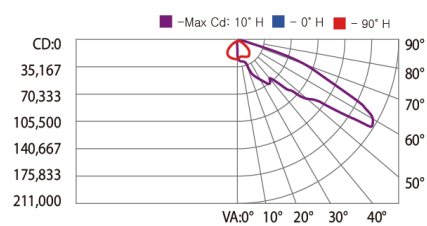
Built-in Driver type		Remote Driver type	
			
			
<b>Size</b>	543 x 621 x 265 (mm) 21.3 x 24.4 x 10.4 (inch)	<b>Size</b>	620 x 543 x 275 (mm) 24.4 x 21.4 x 10.8 (inch)

### Photometry Data

MAH1K2 / 5000K / 70Ra



MAH1K2 / 5000K / 80Ra



# LED Area Flood Lighting






## MAHA-PLUS Series

MAH1K2






### Mount Bracket Installation Reference (Optional)

MAH1K2

KMDLMBK010060



	Ground Mounting (Basic)	Ground Mounting (Reverse)	Horizontal Mounting (Basic)	Horizontal Mounting (Reverse)
				
	Upward 165° / Downward 15°	Upward 55° / Downward 125°	Upward 75° / Downward 105°	Upward 145° / Downward 35°

KMDLMBK010230

	Ground Mounting (Basic)	Ground Mounting (Reverse)	Horizontal Mounting (Basic)	Horizontal Mounting (Reverse)
				
	Upward 165° / Downward 15°	Upward 55° / Downward 125°	Upward 75° / Downward 105°	Upward 145° / Downward 35°

KETBKTLC1ZNN001

KMDLMBK010020

	KMDLMBK010060 + KETBKTLC1ZNN001		KMDLMBK010060 + KMDLMBK010020
	