

LED Flood Lighting

SUFA-M Series

GigaTera[®]
beyond light

SFM1K2 / SFM400 / SFM400 (Warm/Cool)

Product Description

- Tilt and rotatable for easy aiming and optimized uniformity
- Stable cooling structure that points the heat release
- Boosted installation efficiency thanks to the slimmed-down product
- High CRI & R9 Content better visibility
- Linkage with wired control system even for event light control
- Color Tunable (4000K ~ 5700K)



Application

- Sports Stadium
- Indoor Venues

Certification

- UL
- FCC / DLC

SUFA-M Series Specifications

Model Name	SFM1K2								
Power Consumption	1,200W (200Wx6)								
CCT	5700K			5000K			4000K		
Luminous Flux * (lm)	114,000	126,000	138,000	120,000	132,000	144,000	108,000	120,000	132,000
Luminous Efficacy * (lm/W)	95	105	115	100	110	120	90	100	110
CRI	90 Ra	80Ra	70Ra	90 Ra	80Ra	70Ra	90 Ra	80Ra	70Ra
LED Driving Current	1,080 mA								
Light Distribution	45° / 30° / 15°								
Input Voltage	DC100V (through RED)								
Input Current	Refer to RED1K2 spec.								
Driver Type	Constant Current (CC)								
Fixture Manufacturer	GigaTera Lighting Inc. / Made in Korea								
Weight	SFM	46.3 lb / 21.0 kg							
	Dirver	Refer to RED1K2 spec.							
Material	Body	Cast Aluminum							
	Optic	AL Coating Reflector							
	Cover	Tempered Glass 3.2T (Clear), Anti UV & Dust, Shatter Proof							
Finish	Powder Coating								
Option	Control	Refer to RED1K2 spec.							
IP Rating	IP66								
Operating Temperature	-30°C ~ 50°C								
Warranty	5 Years (12 hours usage per day)								

* Tolerance : ± 10%

LED Flood Lighting

SUFA-M Series

GigaTera[®]
beyond light

SFM1K2 / SFM400 / SFM400 (Warm/Cool)

SUFA-M Series Specifications

Model Name	SFM400										SFM400 (Warm/Cool)	
Power Consumption	400W										400W	
CCT	5700K			5000K			4000K			Color Tunable (4000K ~ 5700K)		
Luminous Flux * (lm)	38,000	42,000	46,000	40,000	44,000	48,000	36,000	40,000	44,000	32,000	36,000	
Luminous Efficacy * (lm/W)	95	105	115	100	110	120	90	100	110	80	90	
CRI	90 Ra	80 Ra	70 Ra	90 Ra	80 Ra	70 Ra	90 Ra	80 Ra	70 Ra	90 Ra	80Ra	
LED Driving Current	1,080 mA											
Light Distribution	45° / 30° / 15°											
Input Voltage	200 ~ 277 Vac / 347 ~ 480 Vac											
Input Current	Max. 2.5A (@200 Vac) / Max. 1.6A (@347 Vac)											
Driver Type	Constant Current (CC)											
Fixture Manufacturer	GigaTera Lighting Inc. / Made in Korea											
Weight	SFM	8.0 kg / 17.6 lb										
	Dirver	7.1 kg / 15.7 lb									10.0 kg / 22.0 lb	
Material	Body	Cast Aluminum										
	Optic	AL Coating Reflector										
	Cover	Tempered Glass 3.2T (Clear), Anti UV & Dust, Shatter Proof										
Finish	Powder Coating											
Option	Control	Wired (RS-485, DMX-512)										
IP Rating	IP66											
Operating Temperature	-30°C ~ 50°C											
Warranty	5 Years (12 hours usage per day)											

* Tolerance : ± 10%

Remote Driver Specifications

Model Name	RED1K2	
Power Consumption	1,200W	
Compatible Model	SFM1K2	
Input Voltage	200 ~ 277 Vac / 347 ~ 480 Vac	
Output Voltage	DC100V	
Input Current	Max. 7.6A (@200 Vac) / Max. 4.4A (@347 Vac)	
Power Factor	≥0.9 at Max load	
Frequency	50 / 60 Hz	
Surge Protection	Line – Line 20kV, Line – FG 20kV	
Fixture Manufacturer	GigaTera Lighting Inc. (Made in Korea)	
Weight	13.0 kg / 28.7 lb (Exclude IP Box), 20.0 kg / 44.1 lb (Include IP Box)	
Option	Control	Wired (RS-485, DMX-512)
IP Rating	IP66 (When IP box applied)	
Warranty	5 Years (12 hours usage per day)	

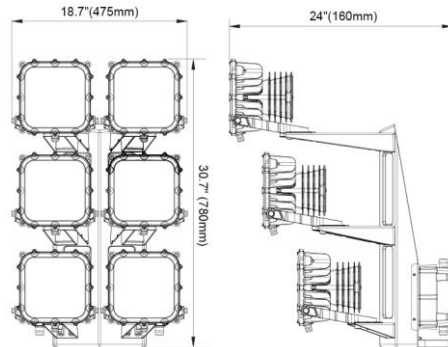
LED Flood Lighting

SUFA-M Series

GigaTera[®]
beyond light

SFM1K2 / SFM400 / SFM400 (Warm/Cool)

SUFA-M 1200W

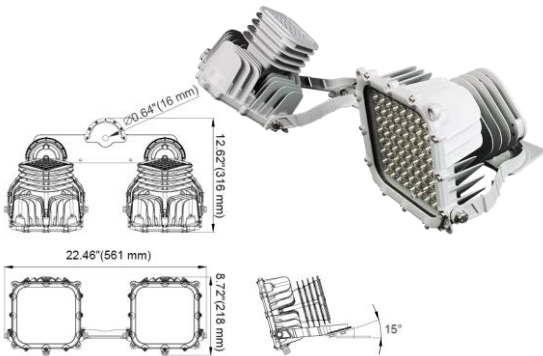


Size

18.7 x 30.7 x 24 (inch)

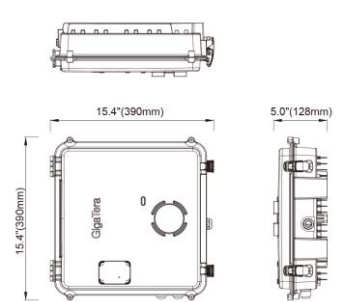
475 x 780 x 610 (mm)

SUFA-M 400W



Power box

Power box (W/C)



Size

561 x 218 x 316 (mm)

22.5 x 8.7 x 12.6 (inch)

Size

286 x 399.7 x 122.4 (mm)

11.3 x 15.7 x 4.8 (inch)

Size

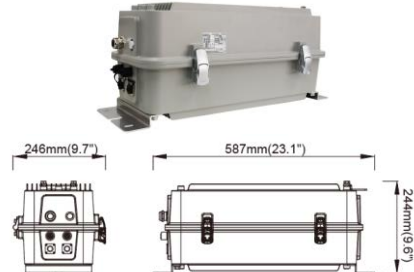
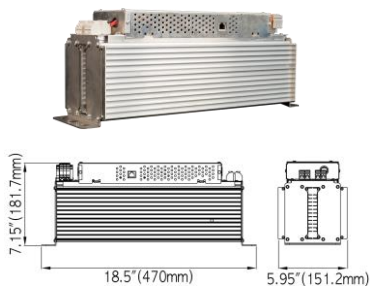
390 x 390 x 128 (mm)

15.4 x 15.4 x 5.0 (inch)

Remote Driver

RED

RED IP66 BOX (Optional)



Size

470.0 x 151.2 x 181.7 (mm)

18.5 x 6.0 x 7.2 (inch)

Size

587.0 x 246.0 x 244.0 (mm)

23.1 x 9.7 x 9.6 (inch)

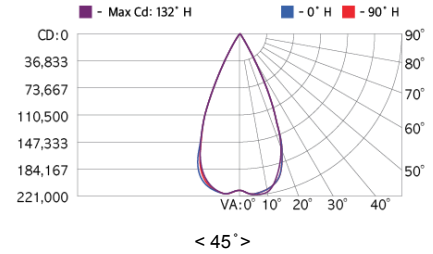
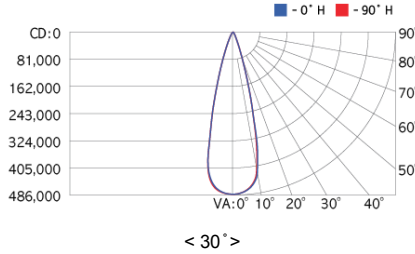
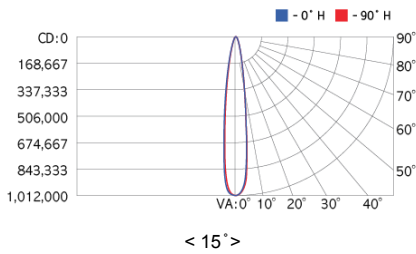
LED Flood Lighting

SUFA-M Series

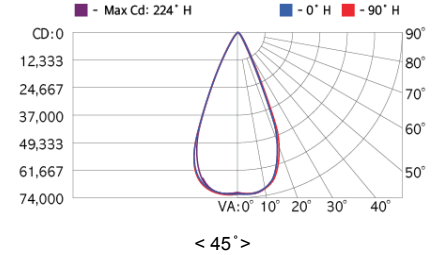
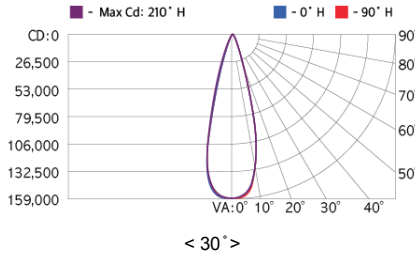
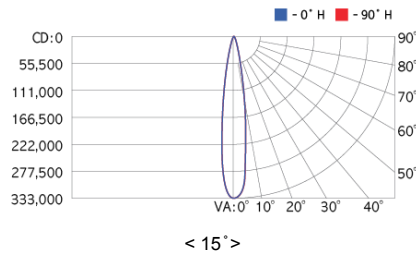
SFM1K2 / SFM400 / SFM400 (Warm/Cool)

Photometry Data

SFM1K2 / 5000K



SFM400 / 5000K



Control System (Optional)

Wired Control	RS-485	DMX-512
Input Voltage	15 Vdc	
Max. Power Consumption	0.2W (@15 Vdc)	
Communication Method	RS-485	DMX-512
Data Rate	115,200 bps, 8-N-1	250,000 bps, 8-N-2

Ordering Information

Ordering Code Usage : SFM400-H500458W

SFM	000	-	0	00	000	0	0
	Power Consumption		Input Voltage	CCT (K)	Beam Angle	CRI	Control System
	1K2 = 1200W		V = DC 100V	57 = 5700K 50 = 5000K 40 = 4000K 30 = 3000K	045 = 45° 030 = 30° 015 = 15°	9 = 90 Ra 8 = 80 Ra 7 = 70 Ra	W = Wired (RS-485) M = Wired (DMX-512) N = None
	400 = 400W		C = 347 ~ 480V H = 200 ~ 277V	57 = 5700K 50 = 5000K 40 = 4000K 30 = 3000K CT = Color Tunable (4000K~5700K) MX = Color Tunable (4000K~5700K)			

Ordering Information

Ordering Code Usage : RED1K2-HVW

RED	000	-	0	0	0
	Power Consumption		Input Voltage	Output Voltage	Control System
	1K2 = 1,200W		C = 347 ~ 480V H = 200 ~ 277V	V = DC100V	W = Wired(RS-485) M = Wired(DMX-512)